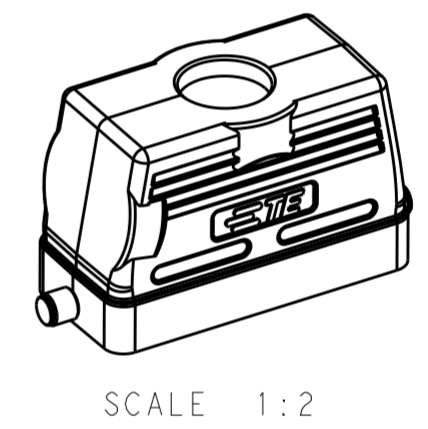
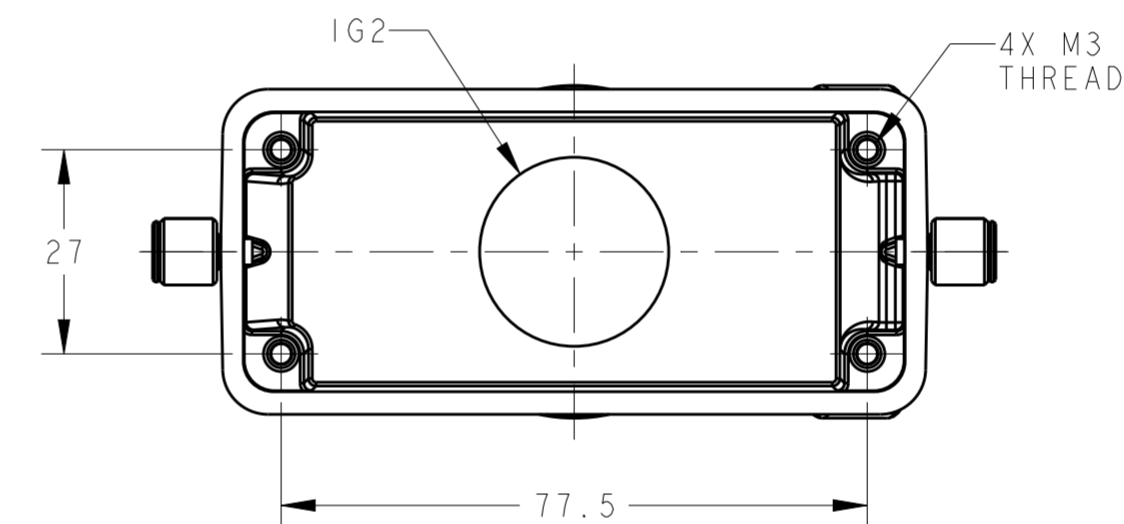
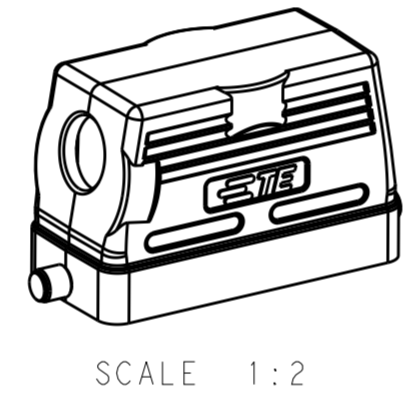
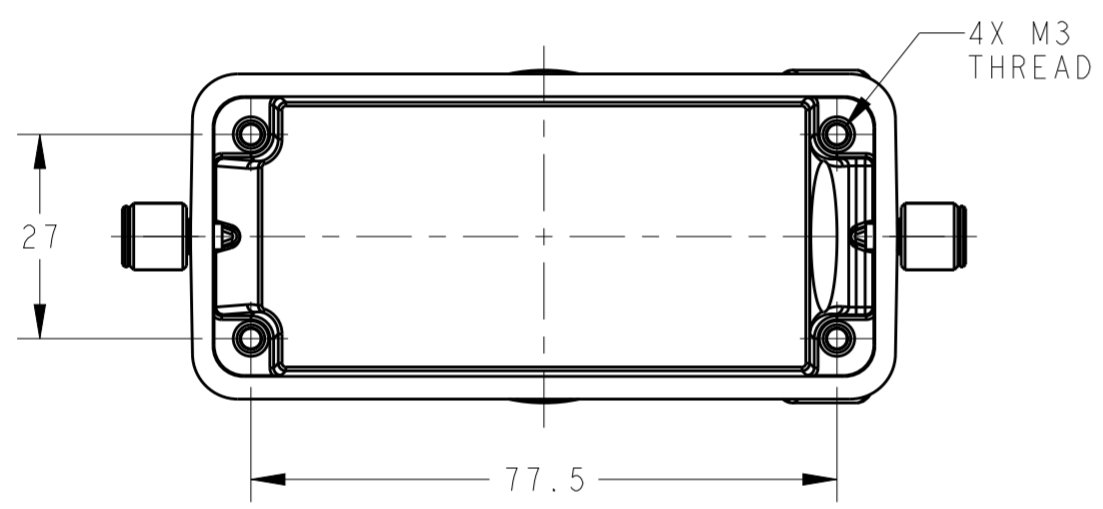
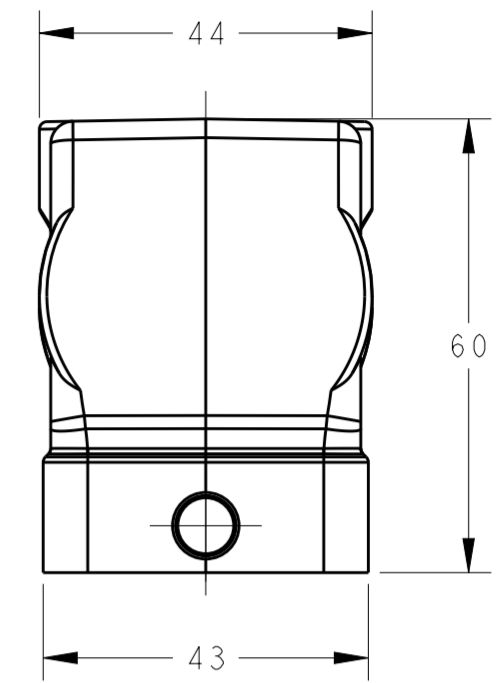
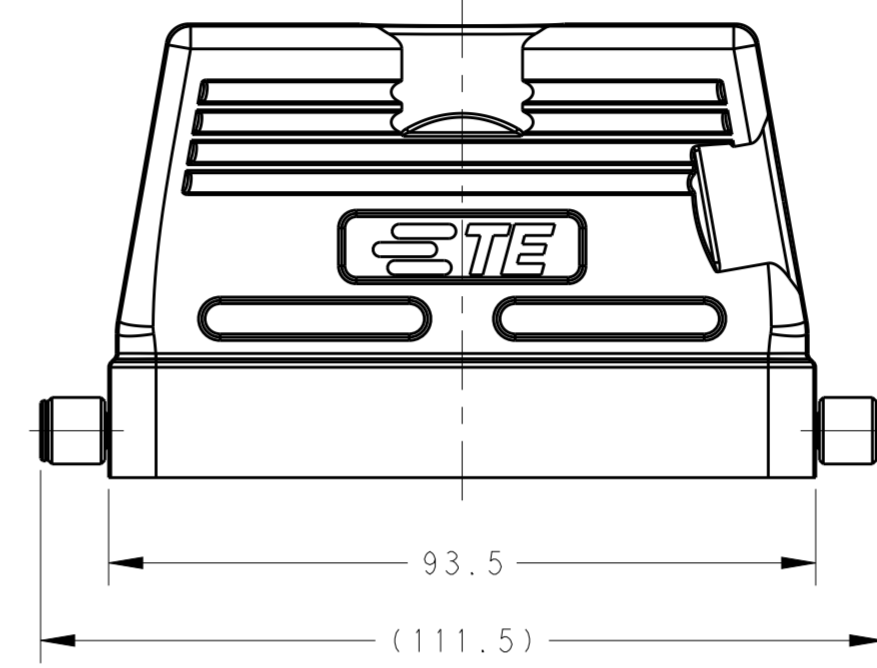
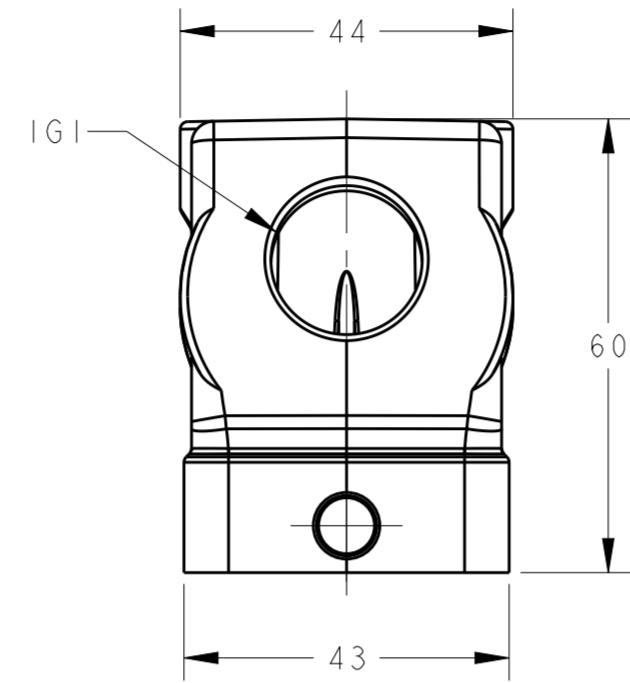
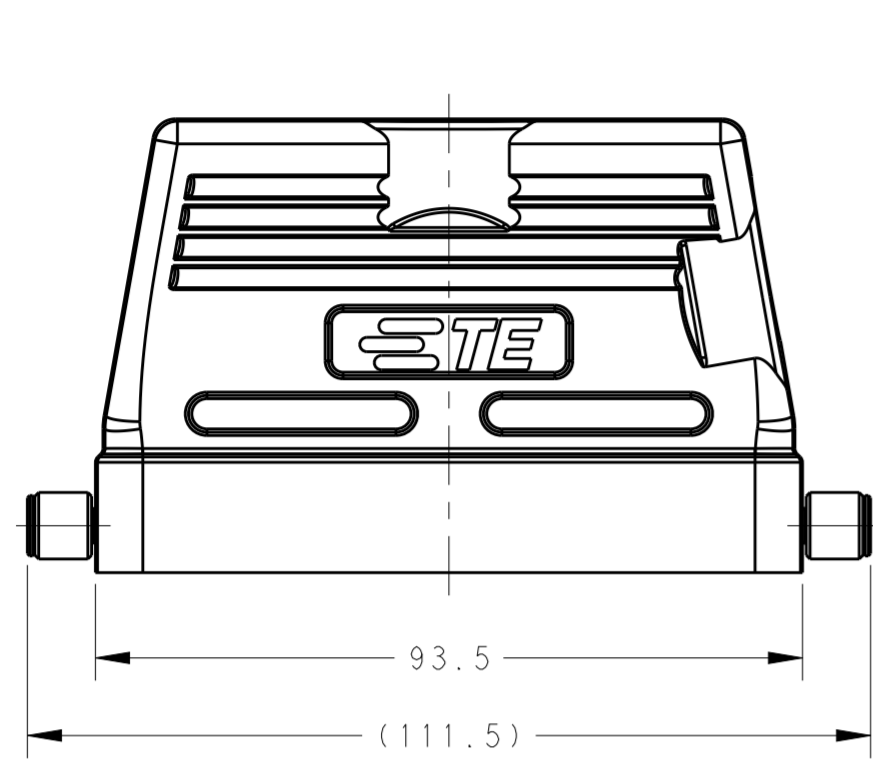


THIS DRAWING IS UNPUBLISHED. RELEASED FOR PUBLICATION 20
 © COPYRIGHT 20 BY - ALL RIGHTS RESERVED.

REVISIONS				
P	LTR	DESCRIPTION	DATE	APVD
	A	INITIAL	25MAY2015	DW CW



TYPE 1: LOW CONSTRUCTION, SIDE ENTRY

TYPE 2: LOW CONSTRUCTION, TOP ENTRY

NOTES:
 I. TECHNICAL CHARACTERISTICS:
 HOOD MATERIAL: DIE CAST ALUMINIUM ALLOY
 SURFACE: POWDER COATED, GREY
 OPERATION TEMPERATURE: -40-+125°C
 DEGREE OF PROTECTION: IP65 (MATED)

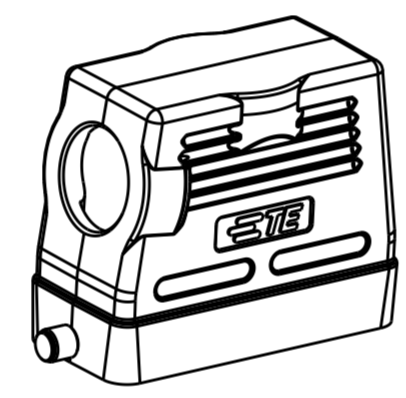
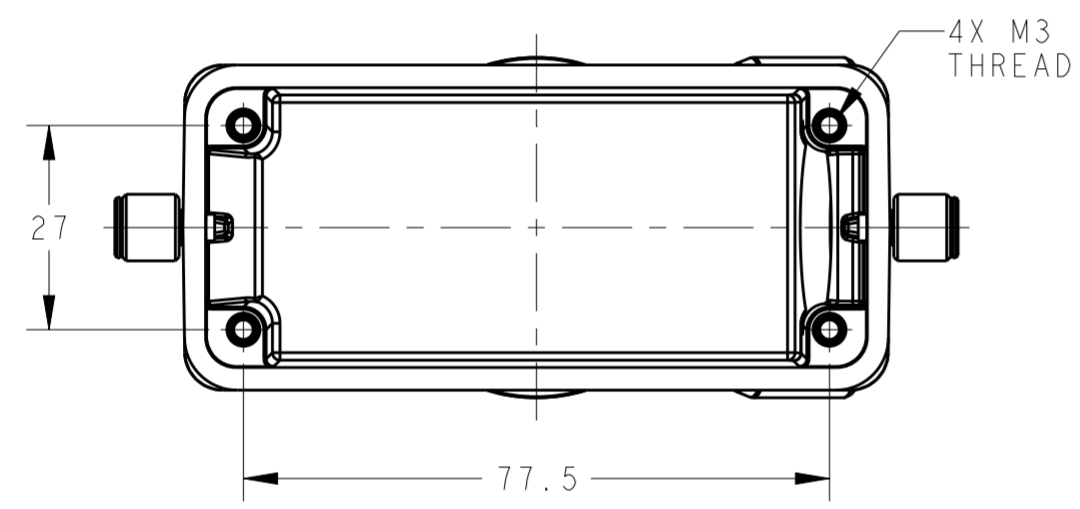
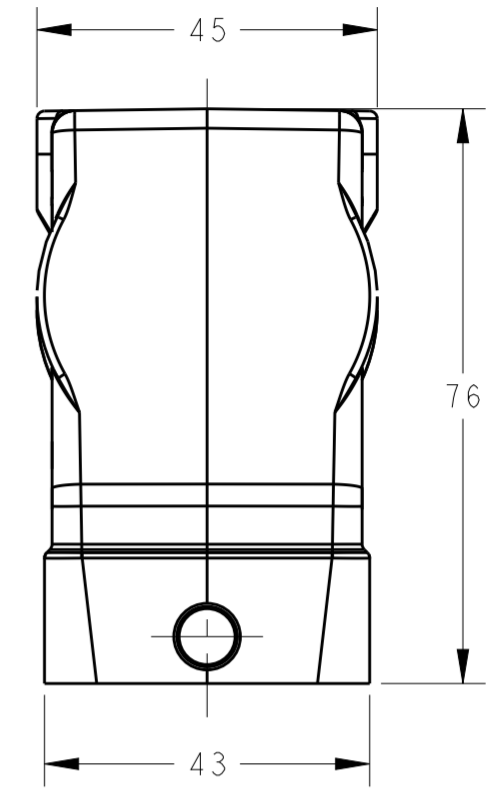
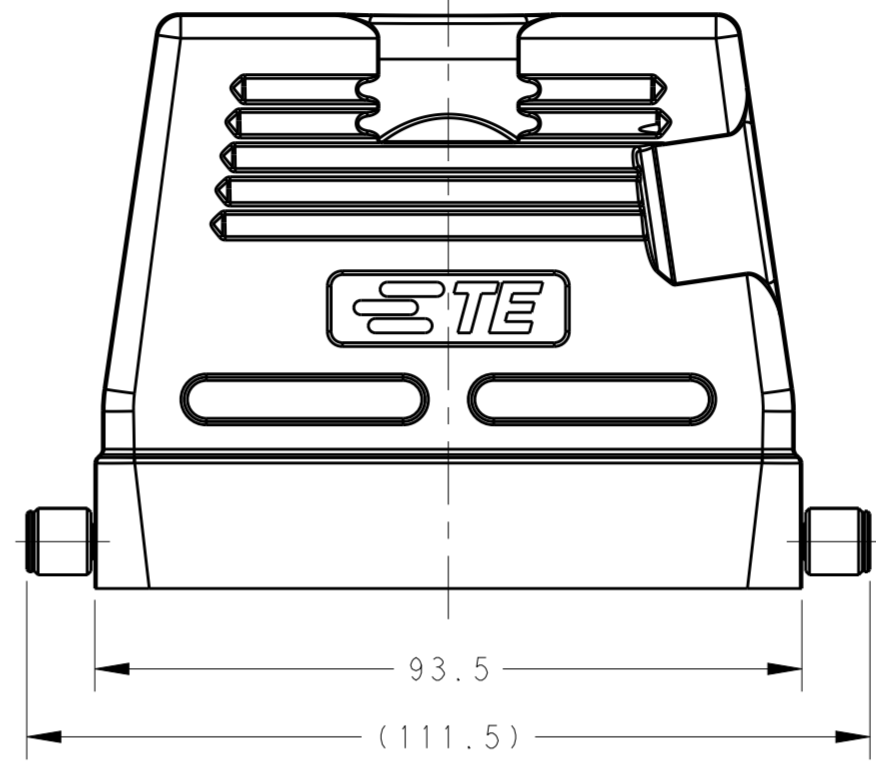
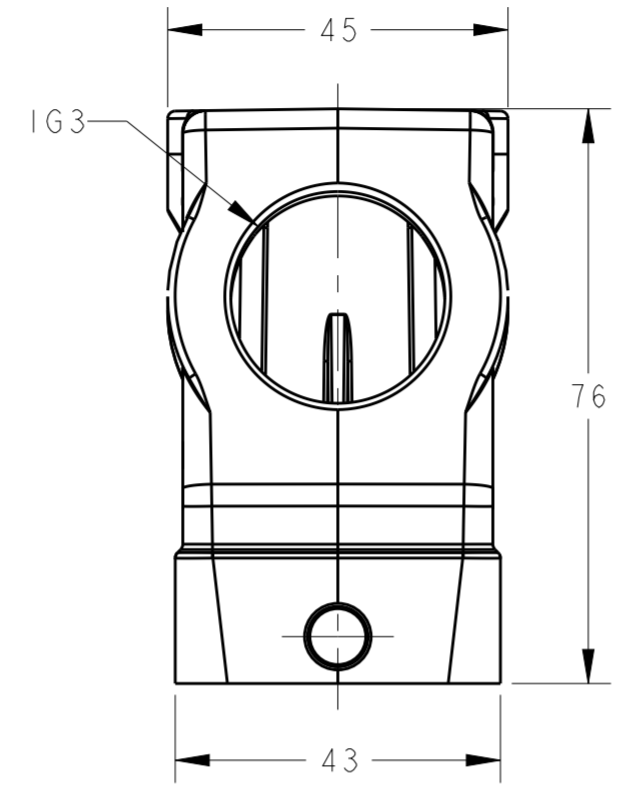
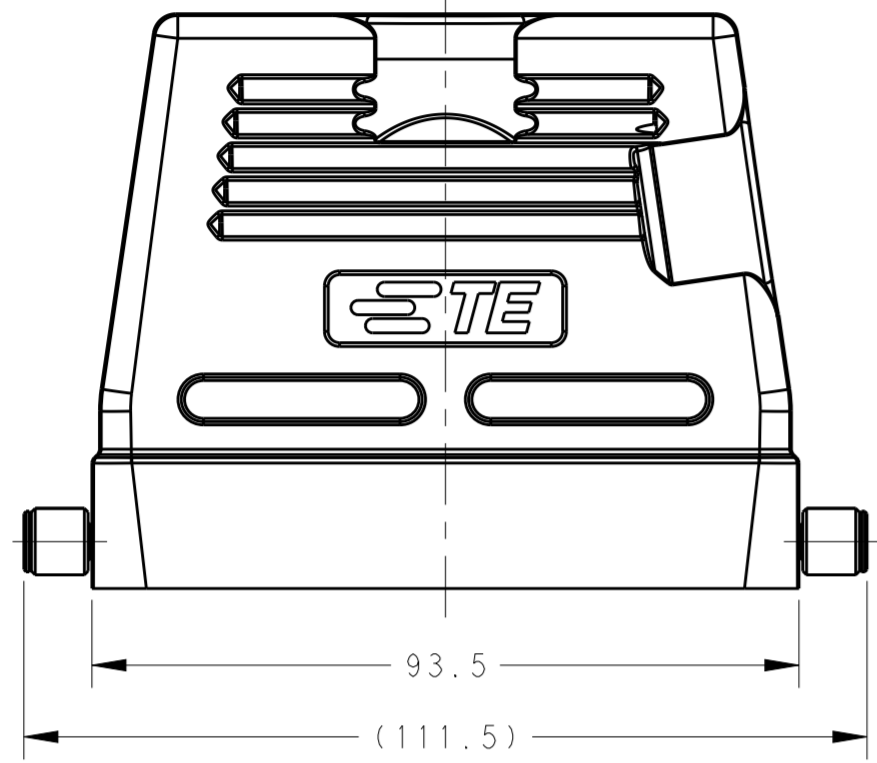
注释:
 I. 技术参数:
 上壳材料: 铝合金
 表面处理: 粉末涂层, 灰色
 工作温度: -40-+125°C
 防护等级: IP65(配合)

T1310160120-000	TYPE 1	H16B-TS-RO-M20	M20	-
T1310160121-000		H16B-TS-RO-PG21	PG21	-
T1310160125-000		H16B-TS-RO-M25	M25	-
T1310160132-000		H16B-TS-RO-M32	M32	-
T1320160121-000	TYPE 2	H16B-TG-RO-PG21	-	PG21
T1320160125-000		H16B-TG-RO-M25	-	M25
T1320160132-000		H16B-TG-RO-M32	-	M32
PART NUMBER	TYPE	DESCRIPTION	IG1	IG2

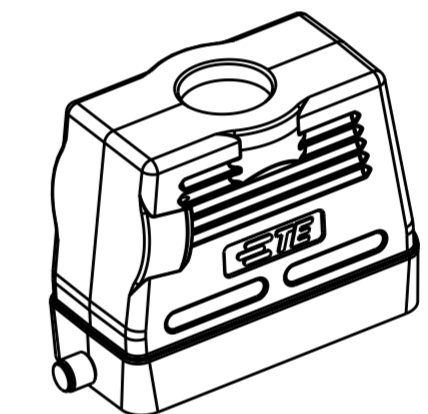
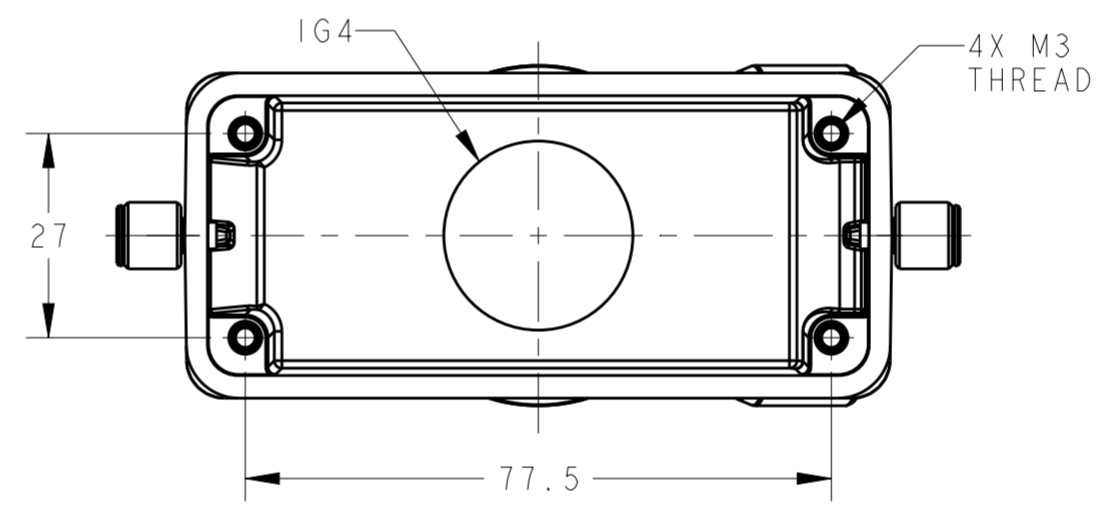
THIS DRAWING IS A CONTROLLED DOCUMENT.		DWN David Wang 25MAY2015	STE TE Connectivity	
		CHK Chris Wang 25MAY2015		
		APVD Xiang Xu 25MAY2015	NAME H16B-TS/TG/TSH/TGH-RO-M/PG	
DIMENSIONS: mm		PRODUCT SPEC 108-137013	SIZE CAGE CODE DRAWING NO RESTRICTED TO	
TOLERANCES UNLESS OTHERWISE SPECIFIED:		APPLICATION SPEC 114-137013	A200779 C-T13X01601XX000	
MATERIAL		WEIGHT	SCALE 1:1 SHEET 1 OF 2 REV A	
		Customer Drawing		

THIS DRAWING IS UNPUBLISHED. RELEASED FOR PUBLICATION 20
 © COPYRIGHT 20 BY - ALL RIGHTS RESERVED.

REVISIONS				
P	LTR	DESCRIPTION	DATE	APVD
-		SEE SHEET 1	-	-



SCALE 1:2



SCALE 1:2

TYPE 3: HIGH CONSTRUCTION, SIDE ENTRY

TYPE 4: HIGH CONSTRUCTION, TOP ENTRY

NOTES:
SEE SHEET 1

T1330160121-000	TYPE 3	H16B-TSH-RO-PG21	PG21	-
T1330160125-000		H16B-TSH-RO-M25	M25	-
T1330160129-000		H16B-TSH-RO-PG29	PG29	-
T1330160132-000		H16B-TSH-RO-M32	M32	-
T1330160140-000		H16B-TSH-RO-M40	M40	-
T1340160121-000	TYPE 4	H16B-TGH-RO-PG21	-	PG21
T1340160125-000		H16B-TGH-RO-M25	-	M25
T1340160129-000		H16B-TGH-RO-PG29	-	PG29
T1340160132-000		H16B-TGH-RO-M32	-	M32
T1340160140-000		H16B-TGH-RO-M40	-	M40
T1340167134-000		H16B-TGH-RO-NPT3/4	-	NPT3/4
PART NUMBER	TYPE	DESCRIPTION	IG3	IG4

THIS DRAWING IS A CONTROLLED DOCUMENT.		DWN David Wang 25MAY2015	STE TE Connectivity	
		CHK Chris Wang 25MAY2015		
		APVD Xiang Xu 25MAY2015	NAME H16B-TS/TG/TSH/TGH-RO-M/PG	
DIMENSIONS: mm		PRODUCT SPEC 108-137013	SIZE CAGE CODE DRAWING NO RESTRICTED TO	
TOLERANCES UNLESS OTHERWISE SPECIFIED:		APPLICATION SPEC 114-137013	A200779 C-T13X01601XX000	
MATERIAL		WEIGHT	SCALE 1:1 SHEET 2 OF 2 REV A	
		Customer Drawing		