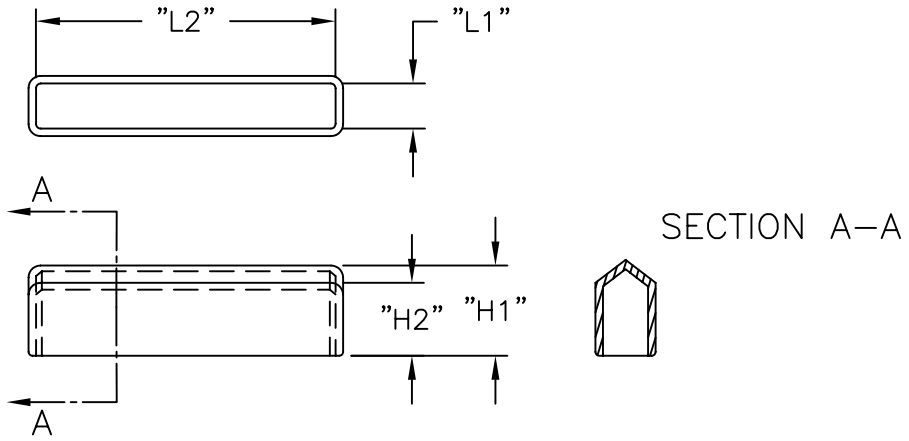


PART NO.	"H1" REF.	"H2" REF.	"L1"	"L2"	FUSE TYPE
840620	1/2 (12.7)	25/64 (9.9)	.24 (6.0)	.79 (20.0)	METRIC
840730	1/2 (12.7)	25/64 (9.9)	.28 (7.0)	1.18 (30.0)	METRIC
840832	5/8 (15.9)	37/64 (14.7)	.32 (8.0)	1.26 (32.0)	METRIC
840836	1/2 (12.7)	25/64 (9.9)	.32 (8.0)	1.42 (36.0)	STD 1/4X1-1/4



NOTES:
 1. MATERIAL: FLEXIBLE PVC (RMS-55).
 2. COLOR: TRANSPARENT BLUE.

A	CHANGED FILE NO.	SM 03.22.02
REV	DESCRIPTION	ENGR DATE

TITLE: "QUICK FIT" FUSE COVERS					DWG IN IN (MM)	
TOLERANCES UNLESS NOTED .XX=±.020 .XXX=±.015 FRAC=±1/64 ANG=±1'	FILE # 840XXX	DWN: J.B.	APP:	FINAL		
	MAT'L: SEE NOTES	DT: 09-21-95	DT:	PART #	PRINT TYPE	
	RE: RICHCO, INC.	RICHCO INC. PO BOX 804238, CHICAGO, 60680 (773) 539-4060		SEE TABLE	CA	